

FLEXLUX

Embrace your Space



Specifications of Petrone



The large proportions and the extra deep seating depth ensure multiple seating positions and looks very stylish at the same time. The seats are made with a foam core, wrapped with a feather-foam mix to create premium seating comfort. The perfect spot to relax and enjoy some quality time. Petrone is here and offers you the ultimate lounge feeling.

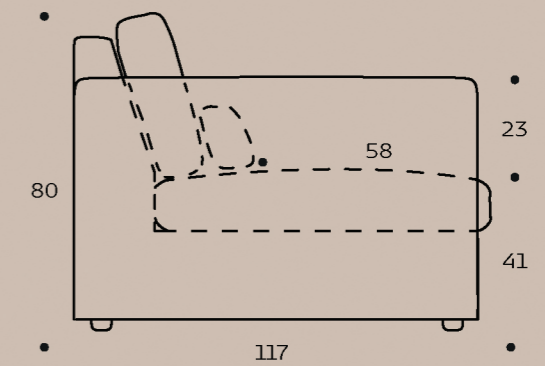
Design elements

11 Combinations
Available in fabric

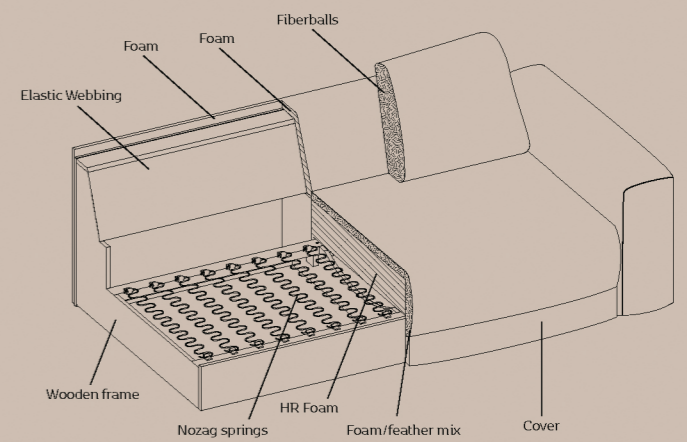
How to design

1. Choose design 341
2. Choose combination
3. Choose fabric
4. Legs included

Dimensions



Construction



Petrone sofa

PRICELIST & PRODUCT SHEET

Picture on frontpage: Petrone 9081, Bellaria 1203 Taupe Brown. Petrone 3221 + 2521, Taranto 1210 Gravel Grey

FLEXLUX.COM

FLEXLUX reserves the right to modify or delete prices, products and product specifications without any prior notice. FLEXLUX has no liability for any errors or omissions in the materials. All weights and measures shown are best approximations. Seams and stitching can vary from fabric to leather.