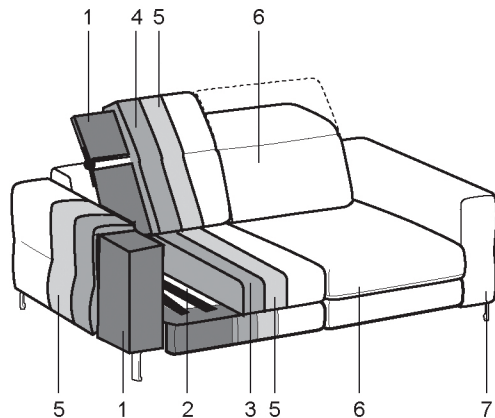


Norma

CS3424



1. Solid wood and chipboard panels frame, headrest with metal mechanism
2. Polypropylene fibre elastic belts
3. Polyurethane foam, seats D30
4. Polyurethane foam, backrests D25
5. Tecnoform
6. Fabric
7. Metal feet

Code	Box	Mc	Kg	Dimensions cm WxDxH
DTD2000	1	1,31	67	177 x 104 x 71
DTD3000	1	1,50	77	203 x 104 x 71
DTD300M	1	1,62	84	219 x 104 x 71
DTL2000	1	1,11	57	151 x 104 x 71
DTL3000	1	1,31	67	177 x 104 x 71
DTL300M	1	1,49	75	202 x 104 x 71
DTD2X10	1	0,74	54	100 x 104 x 71
	1	0,74	35	100 x 104 x 71
DTD3X10	1	0,74	62	100 x 104 x 71
	1	0,74	39	100 x 104 x 71
DTD3X1M	1	0,80	67	109 x 104 x 71

Code	Box	Mc	Kg	Dimensions cm WxDxH
	1	0,80	43	109 x 104 x 71
DTL2X10	1	0,74	54	100 x 104 x 71
	1	0,48	25	65 x 104 x 71
DTL3X10	1	0,74	62	100 x 104 x 71
	1	0,58	29	78 x 104 x 71
DTL3X1M	1	0,80	67	109 x 104 x 71
	1	0,74	34	100 x 104 x 71
DTD2X20	1	0,74	54	100 x 104 x 71
	1	0,74	54	100 x 104 x 71
DTD3X20	1	0,74	62	100 x 104 x 71
	1	0,74	62	100 x 104 x 71

Code	Box	Mc	Kg	Dimensions cm WxDxH
DTD3X2M	1	0,80	67	109 x 104 x 71
	1	0,80	67	109 x 104 x 71
DTL2X20	1	0,74	54	100 x 104 x 71
	1	0,48	45	65 x 104 x 71
DTL3X20	1	0,74	62	100 x 104 x 71
	1	0,58	52	78 x 104 x 71
DTL3X2M	1	0,80	67	109 x 104 x 71
	1	0,74	59	100 x 104 x 71
DTH200B	1	1,22	57	104 x 165 x 71
DTL3A00	1	1,76	76	104 x 239 x 71
DTU1000	1	0,60	41	111 x 111 x 49